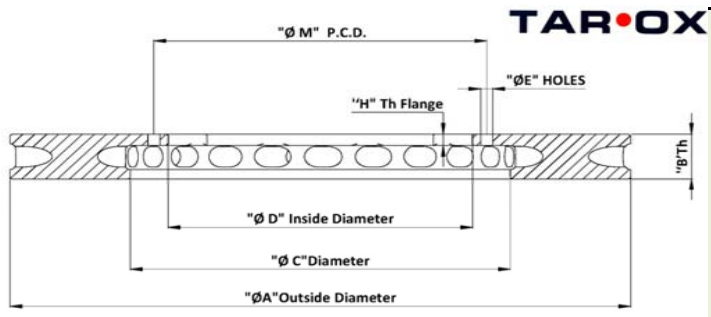


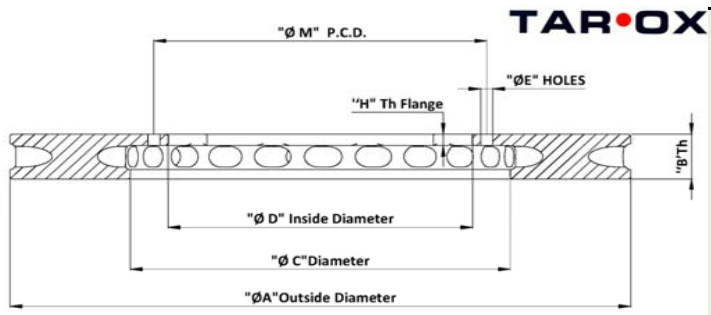
TAROX

| PART NUMBER | "Ø A" Outside Diameter | "B" Th | "Ø C" Diameter | "Ø D" Inside Diameter | "H" Th Flange | "Ø M" P.C.D. | "Ø E" HOLES | N° HOLES | F Max Pad Depth | AIR GAP | Fixing type |
|--------------------|-------------------------------|---------------|-----------------------|------------------------------|----------------------|---------------------|--------------------|-----------------|------------------------|----------------|--------------------|
| C25421AX | 254 | 21.00 | 155.00 | 125.50 | 5.50 | 139.70 | 6.40 | 6 | 50 | 10 | Bolted |
| C25620AX | 256 | 20.00 | 147.00 | 115.50 | 5.50 | 132.00 | 6.40 | 8 | 55 | 9 | Bolted |
| C25721AX | 257 | 21.00 | 155.00 | 125.50 | 5.50 | 139.70 | 6.40 | 6 | 51 | 10 | Bolted |
| C26020AX | 260 | 20.00 | 155.00 | 125.50 | 5.50 | 139.50 | 6.40 | 6 | 53 | 9 | Bolted |
| C26025AX | 260 | 25.40 | 155.00 | 125.50 | 5.00 | 139.70 | 6.40 | 6 | 53 | 15 | Bolted |
| C26220AX | 262 | 20.00 | 158.00 | 130.00 | 5.50 | 145.00 | 6.40 | 8 | 52 | 9 | Bolted |
| C26318AX | 263 | 18.00 | 174.50 | 136.00 | 4.50 | 152.00 | 6.40 | 8 | 44 | 9 | Bolted |
| C26421AX | 264 | 21.00 | 155.00 | 125.50 | 5.50 | 139.70 | 6.40 | 6 | 55 | 10 | Bolted |
| C26517AX | 265 | 17.00 | 162.50 | 123.00 | 5.00 | 139.70 | 6.40 | 8 | 51 | 7 | Bolted |
| C26716AX | 267 | 16.00 | 180.50 | 145.00 | 4.50 | 162.00 | 6.40 | 8 | 43 | 7 | Bolted |
| C26716BX | 267 | 16.00 | 178.00 | 145.00 | 4.50 | 162.00 | 6.40 | 8 | 45 | 7 | Bolted |
| C26718AX | 267 | 18.00 | 172.50 | 140.00 | 5.50 | 158.00 | 6.40 | 8 | 47 | 7 | Bolted |
| C26720AX | 267 | 20.00 | 172.50 | 138.00 | 5.00 | 152.00 | 6.40 | 8 | 47 | 10 | Bolted |
| C26721AX | 267 | 21.00 | 157.00 | 125.80 | 5.50 | 139.70 | 6.40 | 6 | 55 | 10 | Bolted |
| C26721BX | 267 | 21.00 | 155.00 | 125.50 | 5.50 | 139.70 | 6.40 | 6 | 56 | 10 | Bolted |
| C26725AX | 267 | 25.40 | 180.00 | 123.00 | 5.00 | 139.70 | 6.40 | 6 | 44 | 15 | Bolted |
| C26728AX | 267 | 28.00 | 156.50 | 123.00 | 5.50 | 139.70 | 6.40 | 6 | 55 | 17 | Bolted |
| C27725AX | 277 | 25.40 | 174.00 | 141.00 | 5.00 | 158.80 | 6.40 | 8 | 52 | 15 | Bolted |
| C27816AX | 278 | 16.00 | 187.50 | 156.00 | 4.50 | 176.00 | 8.45 | 8 | 45 | 7 | Bolted |
| C27816BX | 278 | 16.00 | 198.00 | 158.00 | 4.50 | 181.50 | 9.50 | 8 | 40 | 7 | Bolted |
| C28017AX | 280 | 17.00 | 191.40 | 146.50 | 4.50 | 171.40 | 9.50 | 8 | 44 | 8 | Bolted |
| C28017BX | 280 | 17.00 | 193.50 | 159.00 | 4.50 | 176.80 | 6.50 | 8 | 43 | 8 | Bolted |
| C28018AX | 280 | 18.00 | 203.00 | 176.00 | 5.50 | 190.50 | 6.40 | 8 | 39 | 7 | Bolted |



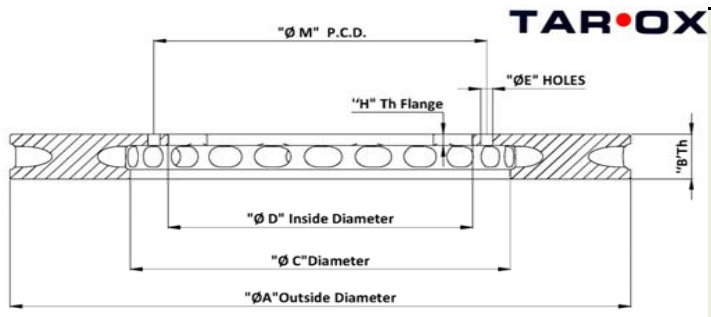
TAROX

| PART NUMBER | "Ø A" Outside Diameter | "B" Th | "Ø C" Diameter | "Ø D" Inside Diameter | "H" Th Flange | "Ø M" P.C.D. | "Ø E" HOLES | N° HOLES | F Max Pad Depth | AIR GAP | Fixing type |
|--------------------|-------------------------------|---------------|-----------------------|------------------------------|----------------------|---------------------|--------------------|-----------------|------------------------|----------------|--------------------|
| C28020AX | 280 | 20.00 | 192.00 | 154.00 | 5.00 | 176.80 | 9.50 | 8 | 44 | 10 | Bolted |
| C28021AX | 280 | 21.00 | 192.00 | 159.00 | 5.00 | 176.80 | 6.40 | 8 | 44 | 11 | Bolted |
| C28022AX | 280 | 22.00 | 180.30 | 152.00 | 4.50 | 165.00 | 6.40 | 8 | 50 | 13 | Bolted |
| C28023AX | 280 | 23.00 | 173.50 | 141.00 | 5.00 | 158.80 | 6.40 | 8 | 53 | 13 | Bolted |
| C28023BX | 280 | 23.00 | 192.00 | 159.00 | 5.00 | 176.80 | 6.40 | 8 | 44 | 13 | Bolted |
| C28024AX | 280 | 24.00 | 192.00 | 159.30 | 5.00 | 176.80 | 6.40 | 8 | 44 | 14 | Bolted |
| C28024BX | 280 | 24.00 | 174.00 | 141.00 | 5.00 | 158.80 | 6.40 | 8 | 53 | 14 | Bolted |
| C28025AX | 280 | 25.40 | 174.00 | 141.00 | 5.00 | 158.80 | 6.40 | 8 | 53 | 15 | Bolted |
| C28025BX | 280 | 25.40 | 192.00 | 159.30 | 5.00 | 176.80 | 6.40 | 8 | 44 | 15 | Bolted |
| C28025CX | 280 | 25.40 | 192.00 | 154.00 | 5.00 | 176.80 | 9.50 | 8 | 44 | 15 | Bolted |
| C28025DX | 280 | 25.40 | 192.00 | 154.00 | 5.00 | 176.80 | 8.00 | 8 | 44 | 15 | Bolted |
| C28025EX | 280 | 25.40 | 197.00 | 164.00 | 5.00 | 177.80 | 6.40 | 8 | 42 | 15 | Bolted |
| C28025FX | 280 | 25.40 | 197.00 | 164.00 | 6.00 | 177.80 | 6.40 | 10 | 42 | 13 | Bolted |
| C28025GX | 285 | 25.40 | 190.00 | 141.00 | 4.50 | 158.80 | 6.40 | 8 | 48 | 16 | Bolted |
| C28525AX | 285 | 25.40 | 190.00 | 141.00 | 4.50 | 158.80 | 6.40 | 8 | 48 | 16 | Bolted |
| C28525BX | 285 | 25.40 | 197.00 | 164.00 | 5.00 | 177.80 | 6.40 | 12 | 44 | 15 | Bolted |
| C28528AX | 285 | 28.00 | 182.50 | 141.00 | 6.30 | 158.80 | 6.40 | 8 | 51 | 15 | Bolted |
| C28528BX | 285 | 28.00 | 190.50 | 164.00 | 6.00 | 177.80 | 6.40 | 12 | 47 | 16 | Bolted |
| C29021AX | 290 | 21.00 | 195.50 | 164.00 | 5.47 | 177.80 | 6.40 | 12 | 47 | 10 | Bolted |
| C29025AX | 290 | 25.40 | 180.30 | 152.90 | 6.20 | 165.10 | 6.40 | 8 | 55 | 13 | Bolted |
| C29028AX | 290 | 28.00 | 180.00 | 153.00 | 6.00 | 165.00 | 6.00 | 8 | 55 | 16 | Bolted |
| C29525AX | 295 | 25.40 | 193.00 | 164.00 | 6.00 | 177.80 | 6.40 | 12 | 51 | 13 | Bolted |
| C29525BX | 295 | 25.40 | 193.00 | 164.30 | 6.00 | 177.80 | 6.40 | 12 | 51 | 13 | Bolted |



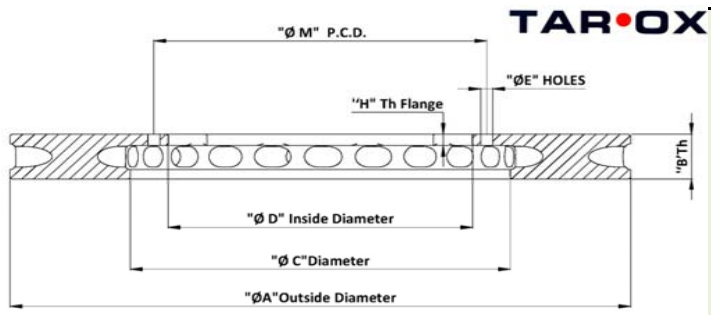
TAROX

| PART NUMBER | "Ø A" Outside Diameter | "B" Th | "Ø C" Diameter | "Ø D" Inside Diameter | "H" Th Flange | "Ø M" P.C.D. | "Ø E" HOLES | N° HOLES | F Max Pad Depth | AIR GAP | Fixing type |
|--------------------|-------------------------------|---------------|-----------------------|------------------------------|----------------------|---------------------|--------------------|-----------------|------------------------|----------------|--------------------|
| C29525CX | 295 | 25.40 | 204.00 | 164.00 | 5.50 | 177.80 | 6.40 | 12 | 46 | 14 | Bolted |
| C29528AX | 295 | 28.00 | 193.00 | 164.00 | 5.50 | 177.80 | 6.40 | 12 | 51 | 17 | Bolted |
| C29528BX | 295 | 28.00 | 195.10 | 164.30 | 6.00 | 177.80 | 6.40 | 12 | 50 | 16 | Bolted |
| C29528CX | 295 | 28.00 | 192.40 | 154.00 | 5.50 | 177.80 | 9.50 | 12 | 51 | 17 | Bolted |
| C29532AX | 295 | 32.00 | 193.40 | 153.00 | 6.50 | 177.80 | 6.50 | 10 | 51 | 19 | Bolted |
| C29532BX | 295 | 32.00 | 193.40 | 153.00 | 6.50 | 177.80 | 9.50 | 10 | 51 | 19 | Bolted |
| C30024AX | 300 | 24.00 | 204.50 | 172.00 | 5.00 | 189.00 | 6.40 | 8 | 48 | 14 | Bolted |
| C30024BX | 300 | 25.40 | 205.50 | 173.50 | 4.50 | 190.00 | 6.40 | 8 | 47 | 16 | Bolted |
| C30025CX | 300 | 25.40 | 213.50 | 181.50 | 6.50 | 196.20 | 6.40 | 12 | 43 | 12 | Bolted |
| C30028AX | 300 | 28.00 | 203.20 | 164.00 | 5.50 | 177.80 | 6.40 | 12 | 48 | 17 | Bolted |
| C30028BX | 300 | 28.00 | 197.00 | 154.00 | 5.50 | 177.80 | 8.00 | 12 | 52 | 17 | Bolted |
| C30034AX | 300 | 34.00 | 200.00 | 161.50 | 6.50 | 179.00 | 6.40 | 12 | 50 | 21 | Bolted |
| C30421AX | 304 | 21.00 | 195.00 | 164.00 | 5.50 | 177.80 | 6.40 | 12 | 55 | 10 | Bolted |
| C30424AX | 304 | 24.00 | 209.50 | 172.00 | 5.50 | 190.50 | 6.40 | 12 | 47 | 13 | Bolted |
| C30425AX | 304 | 25.40 | 195.00 | 152.50 | 5.00 | 177.80 | 8.00 | 12 | 55 | 15 | Bolted |
| C30425BX | 304 | 25.40 | 201.00 | 161.00 | 5.50 | 177.80 | 6.35 | 12 | 52 | 14 | Bolted |
| C30425CX | 304 | 25.40 | 203.20 | 164.00 | 6.50 | 177.80 | 6.40 | 12 | 50 | 12 | Bolted |
| C30425DX | 304 | 25.40 | 203.20 | 164.50 | 5.00 | 177.80 | 6.40 | 12 | 50 | 15 | Bolted |
| C30425EX | 304 | 25.40 | 203.20 | 164.00 | 5.00 | 177.80 | 6.40 | 12 | 50 | 15 | Bolted |
| C30428AX | 304 | 28.00 | 203.20 | 164.30 | 5.50 | 177.80 | 6.40 | 12 | 50 | 17 | Bolted |
| C30428BX | 304 | 25.40 | 205.50 | 177.50 | 5.00 | 191.00 | 6.40 | 12 | 49 | 15 | Bolted |
| C30428CX | 304 | 28.00 | 210.60 | 174.00 | 5.50 | 190.50 | 6.40 | 12 | 47 | 17 | Bolted |
| C30428DX | 304 | 28.00 | 201.50 | 161.00 | 6.50 | 177.80 | 6.40 | 12 | 51 | 15 | Bolted |



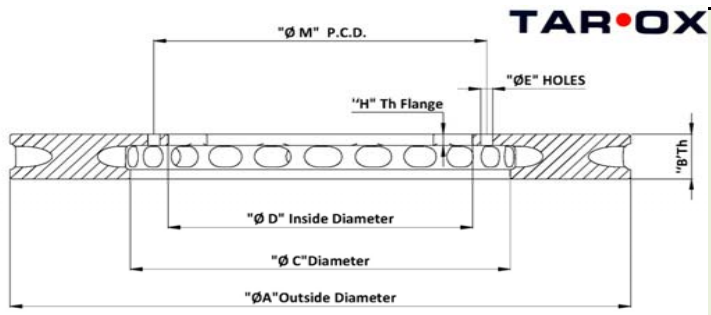
TAROX

| PART NUMBER | "Ø A" Outside Diameter | "B" Th | "Ø C" Diameter | "Ø D" Inside Diameter | "H" Th Flange | "Ø M" P.C.D. | "Ø E" HOLES | N° HOLES | F Max Pad Depth | AIR GAP | Fixing type |
|--------------------|-------------------------------|---------------|-----------------------|------------------------------|----------------------|---------------------|--------------------|-----------------|------------------------|----------------|--------------------|
| C30428EX | 304 | 28.00 | 203.00 | 170.00 | 6.57 | 188.00 | 6.40 | 12 | 51 | 15 | Bolted |
| C30428FX | 304 | 28.00 | 209.50 | 174.00 | 5.50 | 191.00 | 6.40 | 12 | 47 | 17 | Bolted |
| C30430AX | 305 | 30.00 | 191.00 | 158.00 | 5.50 | 172.00 | 6.40 | 12 | 57 | 19 | Bolted |
| C30432AX | 305 | 32.00 | 191.00 | 164.30 | 6.50 | 177.80 | 6.40 | 12 | 57 | 19 | Bolted |
| C31025AX | 310 | 25.40 | 210.00 | 176.00 | 5.50 | 190.50 | 6.50 | 12 | 50 | 14 | Bolted |
| C31028AX | 310 | 28.00 | 210.00 | 176.00 | 5.50 | 190.50 | 6.40 | 12 | 50 | 17 | Bolted |
| C31028BX | 310 | 28.00 | 211.50 | 174.00 | 6.50 | 190.50 | 6.40 | 12 | 49 | 15 | Bolted |
| C31028CX | 310 | 28.00 | 220.00 | 190.00 | 5.50 | 203.20 | 6.40 | 12 | 45 | 17 | Bolted |
| C31030AX | 310 | 30.00 | 210.00 | 163.10 | 6.50 | 177.80 | 6.40 | 12 | 50 | 17 | Bolted |
| C31032AX | 310 | 32.00 | 206.90 | 163.00 | 6.30 | 177.80 | 6.40 | 8 | 52 | 19 | Bolted |
| C31525AX | 315 | 25.40 | 220.00 | 190.00 | 6.00 | 203.20 | 6.40 | 12 | 48 | 13 | Bolted |
| C31525BX | 315 | 25.40 | 210.50 | 172.03 | 5.50 | 190.50 | 6.40 | 12 | 52 | 14 | Bolted |
| C31525CX | 315 | 25.40 | 195.00 | 164.50 | 5.50 | 177.80 | 6.40 | 12 | 60 | 14 | Bolted |
| C31528AX | 315 | 28.00 | 195.00 | 164.00 | 6.00 | 177.80 | 6.40 | 12 | 60 | 16 | Bolted |
| C31528BX | 315 | 28.00 | 195.00 | 164.50 | 6.50 | 177.80 | 6.40 | 12 | 60 | 15 | Bolted |
| C31528CX | 315 | 28.00 | 210.50 | 164.00 | 6.00 | 177.80 | 6.40 | 12 | 52 | 16 | Bolted |
| C31528DX | 315 | 28.00 | 210.50 | 164.00 | 6.00 | 177.80 | 6.40 | 12 | 52 | 16 | Bolted |
| C31528EX | 315 | 28.00 | 210.50 | 174.00 | 6.57 | 190.50 | 6.40 | 12 | 52 | 15 | Bolted |
| C31528FX | 315 | 28.00 | 220.00 | 190.00 | 5.50 | 203.20 | 6.40 | 12 | 48 | 17 | Bolted |
| C31530AX | 315 | 30.00 | 220.00 | 190.00 | 5.50 | 203.20 | 6.40 | 12 | 48 | 19 | Bolted |
| C31532AX | 315 | 32.00 | 210.00 | 164.00 | 6.50 | 177.80 | 6.40 | 12 | 53 | 19 | Bolted |
| C32028AX | 320 | 28.00 | 217.50 | 177.50 | 6.00 | 191.00 | 6.40 | 12 | 51 | 16 | Bolted |
| C32028BX | 320 | 28.00 | 217.50 | 190.00 | 5.50 | 203.20 | 6.40 | 12 | 51 | 17 | Bolted |



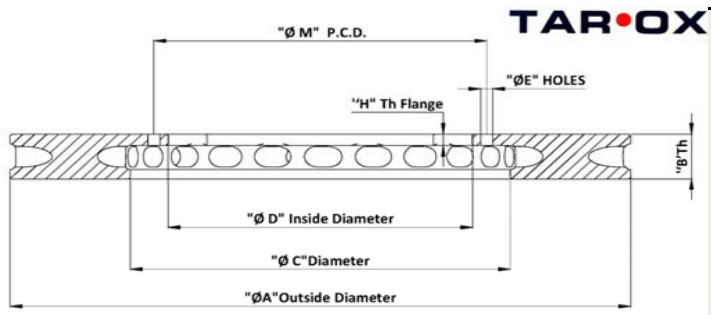
TAROX

| PART NUMBER | "Ø A" Outside Diameter | "B" Th | "Ø C" Diameter | "Ø D" Inside Diameter | "H" Th Flange | "Ø M" P.C.D. | "Ø E" HOLES | N° HOLES | F Max Pad Depth | AIR GAP | Fixing type |
|--------------------|-------------------------------|---------------|-----------------------|------------------------------|----------------------|---------------------|--------------------|-----------------|------------------------|----------------|--------------------|
| C32032AX | 320 | 32.00 | 217.50 | 190.00 | 5.50 | 203.20 | 6.40 | 12 | 51 | 21 | Bolted |
| C32528AX | 325 | 28.00 | 222.00 | 187.00 | 6.50 | 203.20 | 6.40 | 12 | 52 | 15 | Bolted |
| C32530AX | 325 | 30.00 | 218.00 | 174.00 | 6.50 | 198.00 | 9.50 | 10 | 54 | 17 | Bolted |
| C32532AX | 325 | 32.00 | 218.00 | 174.00 | 6.50 | 198.00 | 9.50 | 10 | 54 | 19 | Bolted |
| C32536AX | 325 | 36.00 | 218.00 | 174.00 | 6.50 | 198.00 | 9.50 | 10 | 54 | 23 | Bolted |
| C32828AX | 328 | 28.00 | 222.00 | 190.00 | 6.00 | 203.20 | 6.40 | 12 | 53 | 16 | Bolted |
| C32828BX | 328 | 28.00 | 222.00 | 190.00 | 5.50 | 203.20 | 6.40 | 12 | 53 | 17 | Bolted |
| C32830AX | 328 | 30.00 | 222.00 | 190.00 | 6.50 | 203.20 | 6.40 | 12 | 53 | 17 | Bolted |
| C32830BX | 328 | 32.00 | 233.00 | 192.00 | 6.30 | 217.00 | 8.00 | 8 | 48 | 19 | Bolted |
| C32832AX | 328 | 32.00 | 233.00 | 192.00 | 6.50 | 218.00 | 9.50 | 8 | 48 | 19 | Bolted |
| C32836AX | 328 | 36.00 | 200.90 | 160.00 | 6.50 | 184.15 | 9.50 | 10 | 64 | 23 | Bolted |
| C32842AX | 328 | 42.00 | 200.90 | 160.00 | 6.50 | 184.10 | 9.50 | 10 | 64 | 29 | Bolted |
| C33025AX | 330 | 25.40 | 228.00 | 196.00 | 5.50 | 212.00 | 6.40 | 12 | 51 | 14 | Bolted |
| C33025BX | 330 | 25.40 | 233.00 | 201.50 | 5.50 | 214.20 | 6.40 | 12 | 49 | 14 | Bolted |
| C33025CX | 330 | 26.00 | 227.00 | 183.00 | 5.50 | 200.00 | 6.40 | 12 | 52 | 15 | Bolted |
| C33025DX | 330 | 25.40 | 239.00 | 206.00 | 5.50 | 220.50 | 6.40 | 12 | 46 | 14 | Bolted |
| C33026AX | 330 | 26.00 | 225.00 | 184.00 | 5.50 | 203.20 | 6.40 | 12 | 53 | 15 | Bolted |
| C33028AX | 330 | 28.00 | 220.00 | 190.00 | 5.50 | 203.20 | 6.40 | 12 | 55 | 17 | Bolted |
| C33028BX | 330 | 28.00 | 227.50 | 185.00 | 5.00 | 203.20 | 6.40 | 12 | 51 | 18 | Bolted |
| C33028CX | 330 | 28.00 | 230.00 | 190.00 | 5.50 | 203.20 | 6.40 | 12 | 50 | 17 | Bolted |
| C33030AX | 330 | 30.00 | 230.00 | 190.00 | 5.50 | 203.20 | 6.40 | 12 | 50 | 19 | Bolted |
| C33030BX | 330 | 30.00 | 217.00 | 172.00 | 5.50 | 190.50 | 6.40 | 12 | 57 | 19 | Bolted |
| C33032AX | 330 | 32.00 | 220.00 | 190.00 | 6.50 | 203.20 | 6.40 | 12 | 55 | 19 | Bolted |



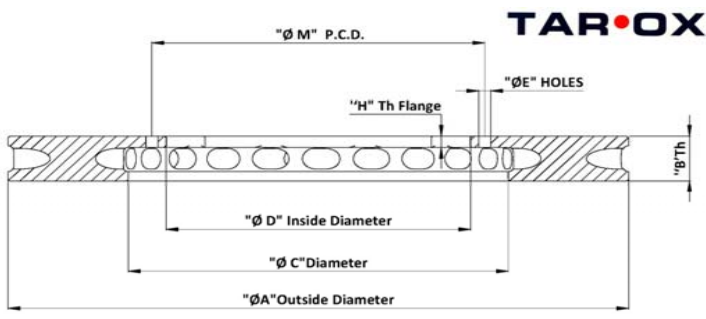
TAROX

| PART NUMBER | "Ø A" Outside Diameter | "B"Th | "Ø C" Diameter | "Ø D" Inside Diameter | "H" Th Flange | "Ø M" P.C.D. | "Ø E" HOLES | N° HOLES | F Max Pad Depth | AIR GAP | Fixing type |
|--------------------|-------------------------------|--------------|-----------------------|------------------------------|----------------------|---------------------|--------------------|-----------------|------------------------|----------------|--------------------|
| C33032BX | 330 | 32.00 | 228.00 | 188.00 | 5.50 | 203.20 | 6.40 | 12 | 51 | 21 | Bolted |
| C33032CX | 330 | 32.00 | 227.50 | 190.00 | 6.50 | 203.20 | 6.40 | 12 | 51 | 19 | Bolted |
| C33032DX | 330 | 32.00 | 227.00 | 178.00 | 5.50 | 203.20 | 9.50 | 12 | 52 | 21 | Bolted |
| C33032EX | 330 | 32.00 | 226.00 | 179.00 | 5.50 | 203.20 | 9.50 | 12 | 52 | 21 | Bolted |
| C33036AX | 330 | 36.00 | 219.50 | 190.00 | 6.50 | 203.20 | 6.40 | 12 | 55 | 23 | Bolted |
| C33232AX | 332 | 32.00 | 216.80 | 190.00 | 5.50 | 203.20 | 6.40 | 12 | 58 | 21 | Bolted |
| C34328AX | 343 | 28.00 | 240.60 | 212.00 | 5.50 | 228.60 | 6.40 | 12 | 51 | 17 | Bolted |
| C34328BX | 343 | 28.00 | 246.00 | 208.00 | 5.50 | 228.60 | 9.50 | 12 | 49 | 17 | Bolted |
| C34328CX | 343 | 28.00 | 237.50 | 198.00 | 6.50 | 216.00 | 6.40 | 12 | 53 | 15 | Bolted |
| C34332AX | 343 | 32.00 | 230.00 | 201.00 | 5.50 | 216.00 | 6.40 | 12 | 57 | 21 | Bolted |
| C34332BX | 343 | 32.00 | 236.00 | 190.50 | 5.50 | 215.90 | 9.50 | 12 | 54 | 21 | Bolted |
| C34332CX | 343 | 32.00 | 249.00 | 208.00 | 5.50 | 228.60 | 6.40 | 12 | 47 | 21 | Bolted |
| C34336AX | 343 | 36.00 | 233.00 | 196.00 | 7.50 | 216.00 | 6.40 | 12 | 55 | 21 | Bolted |
| C35528AX | 355 | 28.00 | 261.50 | 233.00 | 5.50 | 247.60 | 6.40 | 12 | 47 | 17 | Bolted |
| C35532AX | 355 | 32.00 | 248.00 | 217.00 | 8.00 | 233.00 | 9.50 | 10 | 54 | 16 | Bolted |
| C35532BX | 355 | 32.00 | 244.00 | 195.00 | 6.50 | 215.90 | 6.40 | 12 | 56 | 19 | Bolted |
| C35628AX | 356 | 28.00 | 238.50 | 212.00 | 5.50 | 228.60 | 6.40 | 12 | 59 | 17 | Bolted |
| C35628BX | 356 | 28.00 | 261.60 | 214.00 | 5.50 | 228.60 | 6.40 | 12 | 47 | 17 | Bolted |
| C35628CX | 356 | 28.00 | 251.60 | 202.60 | 5.00 | 228.60 | 9.50 | 12 | 52 | 18 | Bolted |
| C35628DX | 356 | 28.00 | 252.60 | 220.00 | 5.00 | 240.00 | 6.40 | 12 | 52 | 18 | Bolted |
| C35632AX | 356 | 32.00 | 248.00 | 192.10 | 5.50 | 217.60 | 9.50 | 12 | 54 | 21 | Bolted |
| C35632BX | 356 | 32.00 | 244.60 | 202.80 | 5.50 | 228.60 | 9.50 | 12 | 56 | 21 | Bolted |
| C35632CX | 356 | 32.00 | 245.00 | 214.00 | 5.50 | 228.60 | 6.40 | 12 | 56 | 21 | Bolted |

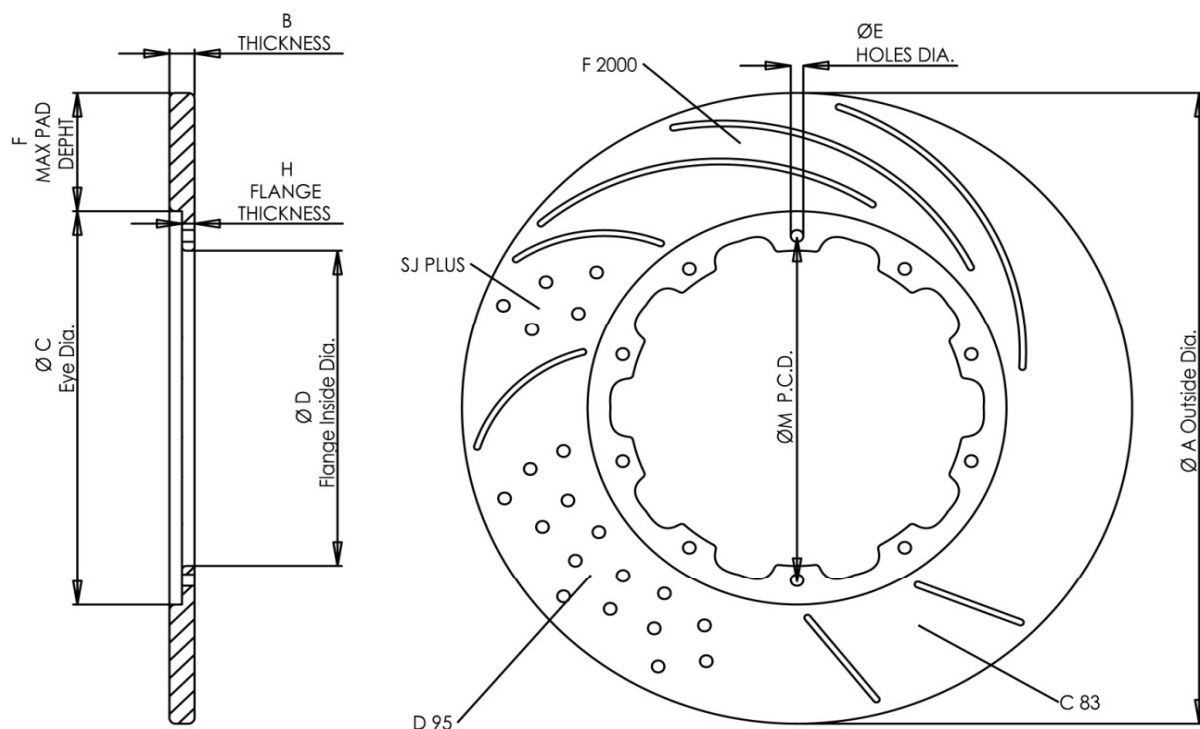


TAROX

| PART NUMBER | "Ø A" Outside Diameter | "B" Th | "Ø C" Diameter | "Ø D" Inside Diameter | "H" Th Flange | "Ø M" P.C.D. | "Ø E" HOLES | N° HOLES | F Max Pad Depth | AIR GAP | Fixing type |
|--------------------|-------------------------------|---------------|-----------------------|------------------------------|----------------------|---------------------|--------------------|-----------------|------------------------|----------------|--------------------|
| C35632DX | 356 | 32.00 | 251.00 | 214.00 | 5.00 | 228.60 | 6.40 | 12 | 53 | 22 | Bolted |
| C35632EX | 356 | 32.00 | 251.60 | 202.60 | 5.50 | 228.60 | 6.40 | 12 | 52 | 21 | Bolted |
| C35632FX | 356 | 32.00 | 261.60 | 225.50 | 5.50 | 240.00 | 6.40 | 12 | 47 | 21 | Bolted |
| C35632GX | 356 | 32.00 | 258.00 | 215.00 | 5.00 | 240.00 | 9.50 | 12 | 49 | 22 | Bolted |
| C35636AX | 356 | 36.00 | 244.50 | 214.00 | 6.50 | 228.60 | 6.40 | 12 | 56 | 23 | Bolted |
| C35636BX | 356 | 36.00 | 245.00 | 208.00 | 6.40 | 228.60 | 6.40 | 12 | 56 | 23 | Bolted |
| C35636DX | 356 | 36.00 | 245.00 | 214.00 | 6.50 | 228.60 | 6.40 | 12 | 56 | 23 | Bolted |
| C36232AX | 362 | 32.00 | 238.00 | 195.00 | 6.50 | 216.00 | 6.40 | 12 | 62 | 19 | Bolted |
| C36232BX | 362 | 32.00 | 251.40 | 208.00 | 6.50 | 228.60 | 6.40 | 12 | 55 | 19 | Bolted |
| C36232CX | 362 | 32.00 | 247.00 | 208.00 | 6.00 | 228.60 | 6.40 | 12 | 58 | 20 | Bolted |
| C36232DX | 362 | 32.00 | 251.50 | 208.00 | 6.50 | 228.60 | 6.40 | 12 | 55 | 19 | Bolted |
| C36232EX | 362 | 32.00 | 251.00 | 195.00 | 6.50 | 216.00 | 6.40 | 12 | 56 | 19 | Bolted |
| C36632AX | 366 | 32.00 | 268.00 | 224.00 | 6.40 | 240.00 | 6.40 | 12 | 49 | 19 | Bolted |
| C37036AX | 370 | 36.00 | 252.00 | 224.00 | 6.50 | 241.30 | 6.40 | 12 | 59 | 23 | Bolted |
| C37535AX | 375 | 35.00 | 261.00 | 221.00 | 8.00 | 245.00 | 9.50 | 10 | 57 | 19 | Bolted |
| C37535BX | 375 | 36.00 | 257.00 | 231.00 | 6.50 | 247.60 | 6.40 | 12 | 59 | 23 | Bolted |
| C37536AX | 375 | 36.00 | 257.00 | 225.00 | 6.50 | 241.30 | 6.40 | 12 | 59 | 23 | Bolted |
| C37536BX | 375 | 36.00 | 257.00 | 231.00 | 6.50 | 247.60 | 6.40 | 12 | 59 | 23 | Bolted |
| C37536CX | 375 | 36.00 | 269.70 | 245.00 | 6.50 | 260.40 | 6.40 | 12 | 53 | 23 | Bolted |
| C37828AX | 378 | 28.00 | 282.00 | 244.00 | 6.00 | 260.30 | 6.40 | 12 | 48 | 16 | Bolted |
| C37832AX | 378 | 32.00 | 250.00 | 218.00 | 7.00 | 235.80 | 8.00 | 10 | 64 | 18 | Bolted |
| C37832BX | 378 | 32.00 | 250.00 | 220.00 | 7.00 | 235.80 | 8.00 | 10 | 64 | 18 | Bolted |
| C37832CX | 378 | 32.00 | 266.80 | 215.00 | 5.50 | 240.00 | 9.50 | 12 | 56 | 21 | Bolted |



| PART NUMBER | "Ø A" Outside Diameter | "B" Th | "Ø C" Diameter | "Ø D" Inside Diameter | "H" Th Flange | "Ø M" P.C.D. | "Ø E" HOLES | N° HOLES | F Max Pad Depth | AIR GAP | Fixing type |
|-------------|------------------------|--------|----------------|-----------------------|---------------|--------------|-------------|----------|-----------------|---------|-------------|
| C37832DX | 378 | 32.00 | 282.50 | 243.50 | 6.00 | 260.40 | 6.40 | 12 | 48 | 20 | Bolted |
| C39032AX | 390 | 32.00 | 269.00 | 243.00 | 6.50 | 260.00 | 6.40 | 12 | 61 | 19 | Bolted |
| C39034AX | 390 | 34.00 | 269.00 | 243.00 | 6.00 | 260.00 | 6.40 | 12 | 61 | 22 | Bolted |
| C39034BX | 390 | 34.00 | 279.00 | 243.00 | 6.00 | 260.00 | 6.40 | 12 | 56 | 22 | Bolted |
| C39036AX | 390 | 36.00 | 269.00 | 243.00 | 6.50 | 260.00 | 6.40 | 12 | 61 | 23 | Bolted |
| C40032AX | 400 | 32.00 | 280.00 | 239.00 | 6.50 | 266.00 | 6.40 | 12 | 60 | 19 | Bolted |
| C40036AX | 400 | 36.00 | 288.50 | 253.00 | 7.00 | 270.00 | 6.40 | 12 | 56 | 22 | Bolted |
| C41036AX | 410 | 36.00 | 266.00 | 225.50 | 8.00 | 245.50 | 8.00 | 12 | 72 | 20 | Bolted |
| | | | | | | | | | | | |
| | | | | | | | | | | | |
| | | | | | | | | | | | |
| | | | | | | | | | | | |
| | | | | | | | | | | | |
| | | | | | | | | | | | |
| | | | | | | | | | | | |
| | | | | | | | | | | | |
| | | | | | | | | | | | |
| | | | | | | | | | | | |
| | | | | | | | | | | | |
| | | | | | | | | | | | |
| | | | | | | | | | | | |
| | | | | | | | | | | | |
| | | | | | | | | | | | |
| | | | | | | | | | | | |



| PART NUMBER | Ø 'A' Outside Diameter | 'B' Th | Ø 'C' Diameter | Ø 'D' Diameter | MOUNTING HOLES | | | | 'F' Max Pad Depth | 'H' Th |
|-------------|------------------------|--------|----------------|----------------|----------------|------------|----|-------------|-------------------|--------|
| | | | | | Ø E HOLES | Ø M P.C.D. | N° | Fixing type | | |
| C2488AX | 248 | 8 | 172 | 134 | 6.4 | 151 | 8 | Bolted | 38 | 5 |
| C2548AX | 254 | 8 | 165 | 131 | 8.45 | 146 | 6 | Bolted | 45 | 5 |
| C2548BX | 254 | 8 | 165 | 131 | 6.4 | 146 | 8 | Bolted | 45 | 5 |
| C25410AX | 254 | 10 | 166 | 134 | 6.4 | 151 | 8 | Bolted | 44 | 6 |
| C25410BX | 254 | 10 | 166 | 131 | 8.5 | 146 | 8 | Bolted | 44 | 6 |
| C26010AX | 260 | 10 | 173 | 123.2 | 7.95 | 139.7 | 6 | Bolted | 44 | 6 |
| C2658AX | 265 | 8 | 177 | 141 | 6.4 | 158.8 | 8 | Bolted | 44 | 5 |
| C26510AX | 265 | 10 | 189 | 141 | 6.4 | 158.8 | 8 | Bolted | 38 | 6 |
| C26510BX | 265 | 10 | 177 | 141 | 6.4 | 158.8 | 8 | Bolted | 44 | 5 |
| C26510CX | 265 | 10 | 177 | 135.7 | / | 158.8 | 8 | Floating | 44 | 5 |
| C27710AX | 277 | 10 | 192 | 159 | 6.4 | 176.8 | 8 | Bolted | 43 | 6 |
| C27710BX | 277 | 10 | 192 | 154 | / | 176.8 | 8 | Floating | 43 | 4.8 |
| C27710CX | 277 | 10 | 197.5 | 159.3 | / | 181.5 | 8 | Floating | 40 | 4.8 |
| C28010AX | 280 | 10 | 192 | 149.3 | / | 169.8 | 8 | Floating | 44 | 4.8 |
| C28010BX | 280 | 10 | 191.5 | 158 | 6.4 | 175 | 8 | Bolted | 44 | 6 |
| C28010CX | 280 | 10 | 192 | 159 | 6.4 | 176.8 | 8 | Bolted | 44 | 6 |
| C28010DX | 280 | 10 | 192 | 159 | 8.5 | 176.8 | 6 | Bolted | 44 | 6 |
| C28010EX | 280 | 10 | 206 | 176 | 6.4 | 190 | 8 | Bolted | 37 | 6 |
| C28010FX | 280 | 10 | 206 | 173 | / | 190 | 8 | Floating | 37 | 4.8 |
| C29510AX | 295 | 10 | 192 | 159 | 6.4 | 176.8 | 8 | Bolted | 52 | 6 |
| C30010AX | 300 | 10 | 206.5 | 171 | 6.4 | 189 | 8 | Bolted | 47 | 6 |
| C30410AX | 304 | 10 | 216 | 186.5 | 6.4 | 200 | 10 | Bolted | 44 | 6 |
| C30410BX | 304 | 10 | 216 | 173 | / | 200.0 | 10 | Floating | 44 | 4.8 |